

Maintains samples at line pressure
Fully ISO and API compliant
Suitable for gasses, light crude oil, refined HC's

CPR 500/1000

Constant Pressure Sample Receiver

The KPS CPR constant pressure sample receiver provides a heavy-duty reliable and extremely accurate means of storing gasses, crude oils, condensates, and refined hydrocarbons for either high or low pressure pipelines. The CPR-01's can be pre-charged with inert gas or line pressure to maintain the collected sample at process pressure conditions. This is done to minimise upon evaporation or condensation, and to make sure that downgrading of the grabs are prevented.

For practical reasons (e.g. carrying weight) and storage, the CPR's tend to be smaller in size than the low pressure KPS Receiver Cans, and are available in 500ml and 1000ml sizes. Furthermore, it has a robust and rugged design that complies with the highest internationally recognized health and safety requirements.

The CPR has a maximum operating pressure in excess of 150bar @ 100 C, are equipped with a pressure gauge and an integral magnet and external level indicator. As an option, this can be combined with an electronic high/low or level sensors and a rugged carrying case.

Since KPS already has an installed base on many offshore platforms, the design of the KPS GS-01 has been further developed to minimise maintenance requirements.

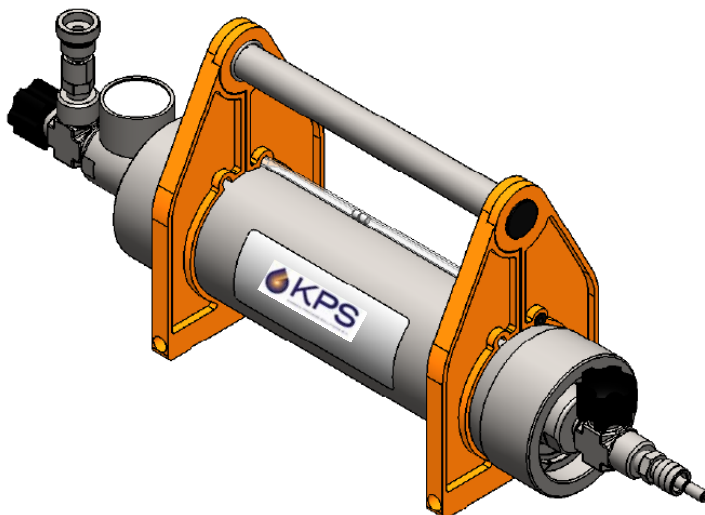
The KPS CPR-01 when integrated within a KPS Gas Sampling system will provide a reliable and accurate sampling solution with very low maintenance requirements.



Specification

Constant Pressure Sample Receiver

Medium stored	Crude Oils, Natural gasses, Condensates, Refined HC's
Operating temperature range	-20 to +110°C / -4 to +230°F
Line pressure range	0-2175 psi (0-150 bar).
Sampler connections	1/4" NPT female (quick connectors optional)
Viscosity range	1-1000 Cst
Materials	ASME SA479 316L Stainless Steel
Seals	Viton, PTFE compounds (standard), Others available upon request
Sample Volume	500 ml / 1000 ml
Approx. weight	CPR500, empty, with valves and quick connectors: 582mm, 8,83kg CPR500 carry case, wheels, handle bar: 625 x 500 x 297 mm, 9,98 kg Total weight: 18,81 kg (empty CPR) CPR1000, empty, with valves and quick connectors: 774mm, 11,35kg CPR1000 carry case, wheels, handle bar: 795 x 518 x 310 mm, 13 kg Total weight: 24,35 kg (empty CPR)
Materials of construction	NACE compliant
Certification	Suitable for hazards specified
Options	E.g. Carry case, Online level sensor, Mounting brackets



More info:



Dienstenstraat 25
3161 GN Rhoon, NL
Tel. +31(0)10-5030077
Fax. +31(0)10-5030079
Email: info@KPSnl.com
Web: www.KPSnl.com

OTHER KPS PRODUCTS:

- Automatic Crude Oil Sampling
- Online Analyzer Systems